



Leading MBS Technology
for Technology Leaders

SIMPACK Rail

APPLICATION

SIMPACK Rail is an add-on module tailored to the specific requirements of the rail sector and is the world-wide market leader for rail vehicles multi-body simulation. SIMPACK Rail is used to simulate the dynamics of all rail vehicles or complete trains.

Applications

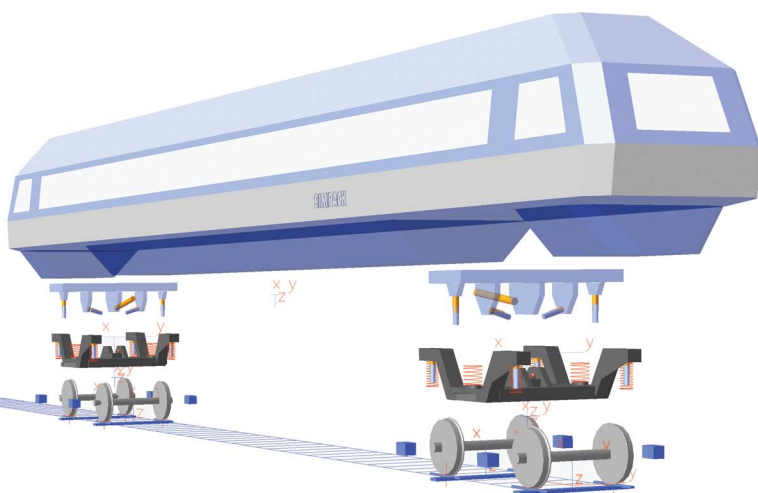
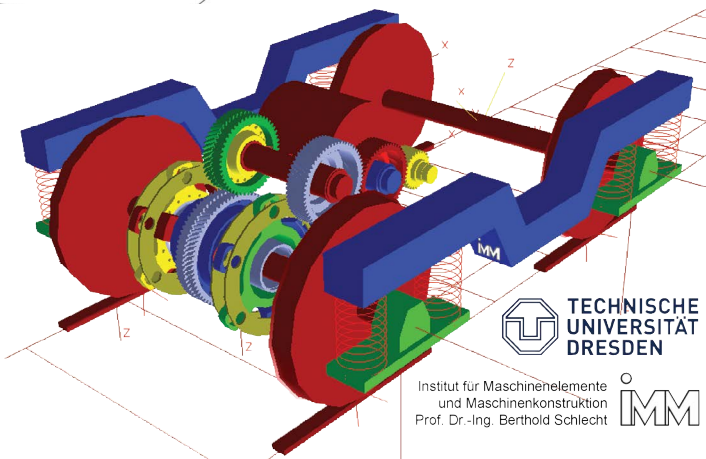
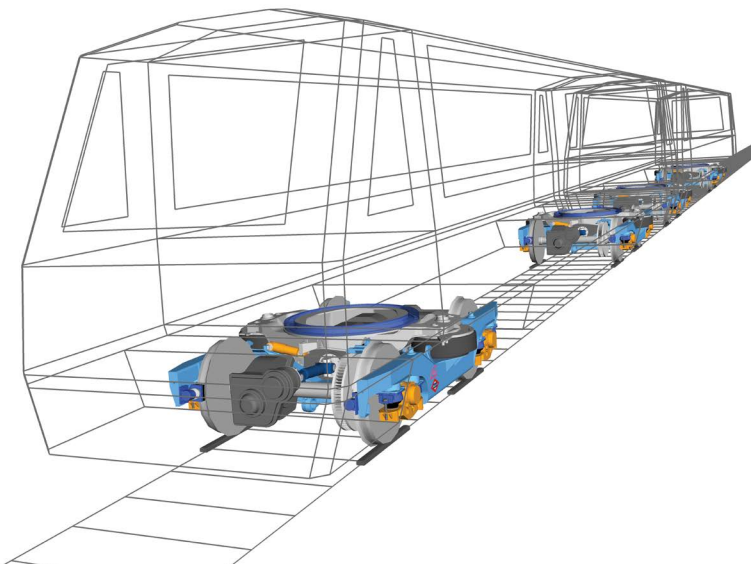
- Derailment safety
- Critical speed
- Passenger comfort
- Profile and track optimization, wear and RCF
- Gauging
- Driveline and braking
- Switches and crossings

Highlights

- Unlimited flexibility
- Easy assembly of multi-car trains from submodels
- Powerful track editor
- Each wheel treated independently
- Scalable detail and complexity
- Batch jobs
- Automatic analysis reports

Features

- Detailed and accurate (online) rail-to-wheel contact model, non-elliptic contact
- Multiple contact patches per wheel
- Fast and robust solver
- Linear and non-linear analyses
- Importation of Flexible Bodies from FEM codes
- Powerful control systems software interfaces
- Easy implementation of user specific code

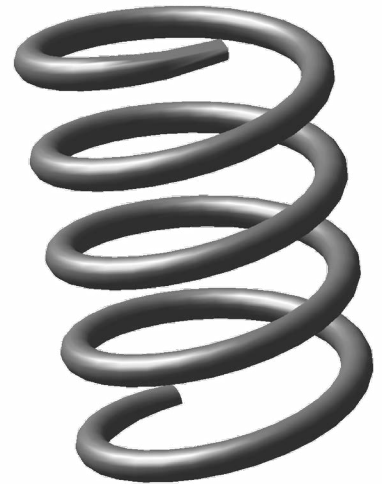
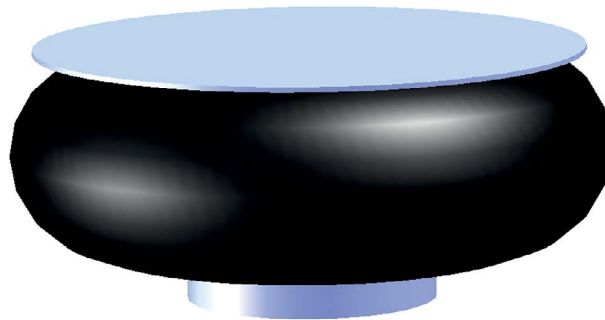
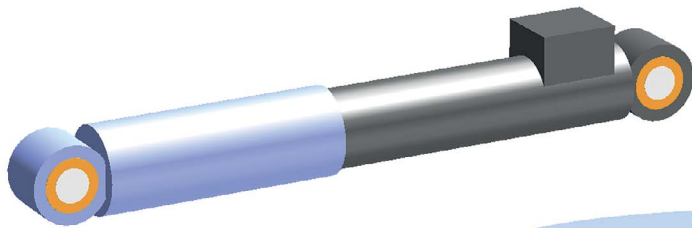
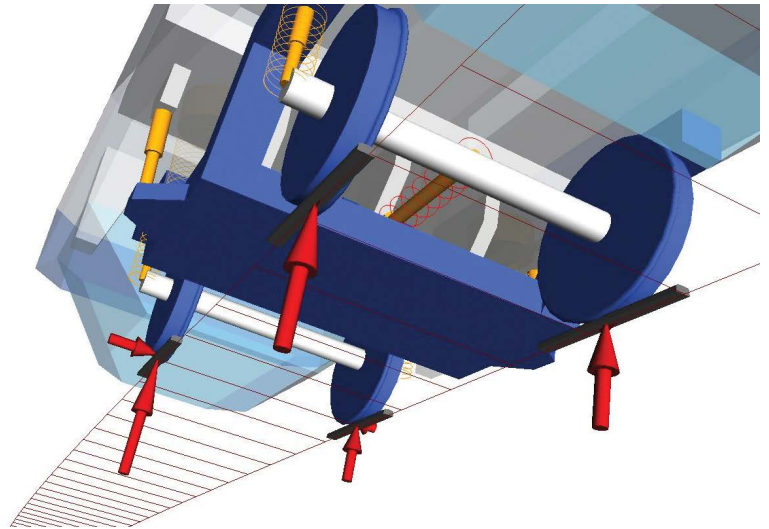


Interfaces to

- FEM software
- Control software
- Fatigue analysis software
- CAD software
- In-house software
- Optimization tools
- Fluid dynamic simulation tools

Operating Systems

- Windows and Linux.
- See: www.simpack.com/platforms.html



SIMPACK CUSTOMER SOLUTION CENTERS:

GERMANY HEADQUARTERS

SIMPACK GmbH
Friedrichshafener Strasse 1
82205 Gilching
Germany
Phone: +49 8105 77266-0
Fax: +49 8105 77266-11
info@SIMPACK.de
www.SIMPACK.com

USA
SIMPACK US Inc.
Dassault Systèmes SIMULIA Corp
900 North Squirrel Road, Suite 100
Auburn Hills, Michigan 48326
USA
Phone: +1 313 827-5500
Fax: +1 313 323-0149
Mobile: +1 251 923 9566
Robert.SOLOMON@3ds.com
www.SIMPACK.com

GREAT BRITAIN
SIMPACK UK Ltd.
The Whittle Estate
Cambridge Road
Whetstone
Leicester LE8 6LH
UK
Phone: +44 116 275 1313
Mobile: +44 7767 416 656
info@SIMPACK.co.uk
www.SIMPACK.com

JAPAN
SIMPACK Japan K.K.
21F ThinkPark Tower
2-1-1 Osaki
Shinagawa-ku
Tokyo 141-6020
Japan
Phone: +81 3 4321-3522
Fax: +81 3 4321-3543
info@SIMPACK.jp
www.SIMPACK.jp

FRANCE
SIMPACK France S.A.S. /
Dassault Systèmes
20 Boulevard Eugène Deruelle
Immeuble Le Britannia
69003 Lyon
France
Phone: +33 4 7214 1683
Mobile: +33 673 881 965
info@SIMPACK.fr
www.SIMPACK.fr



For SIMPACK Distributors please go to
www.simpack.com/contact.html